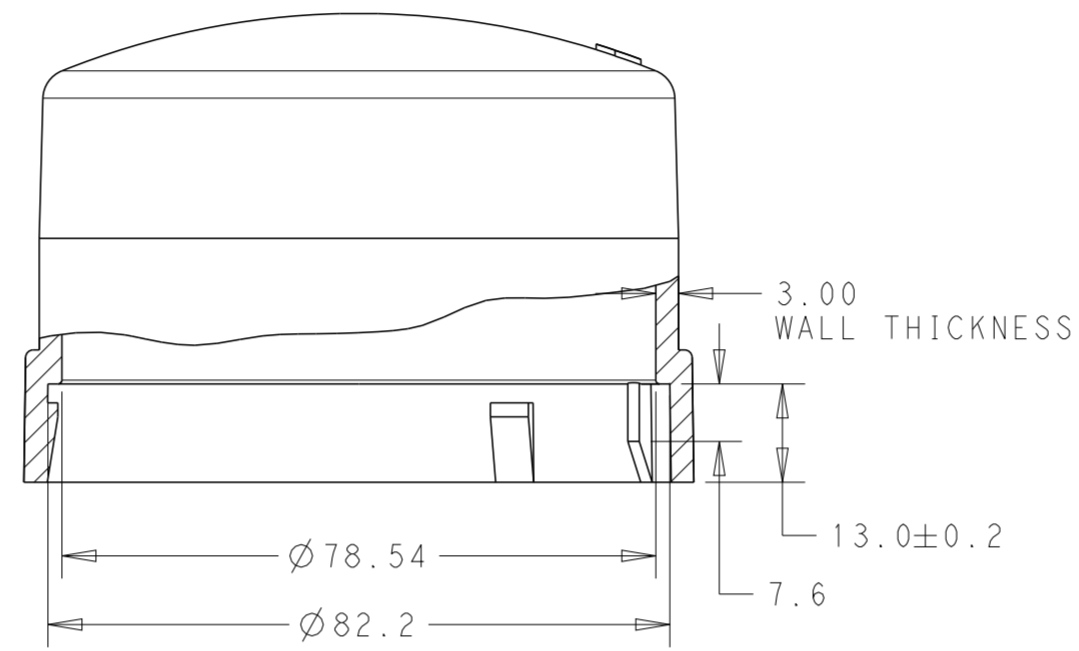
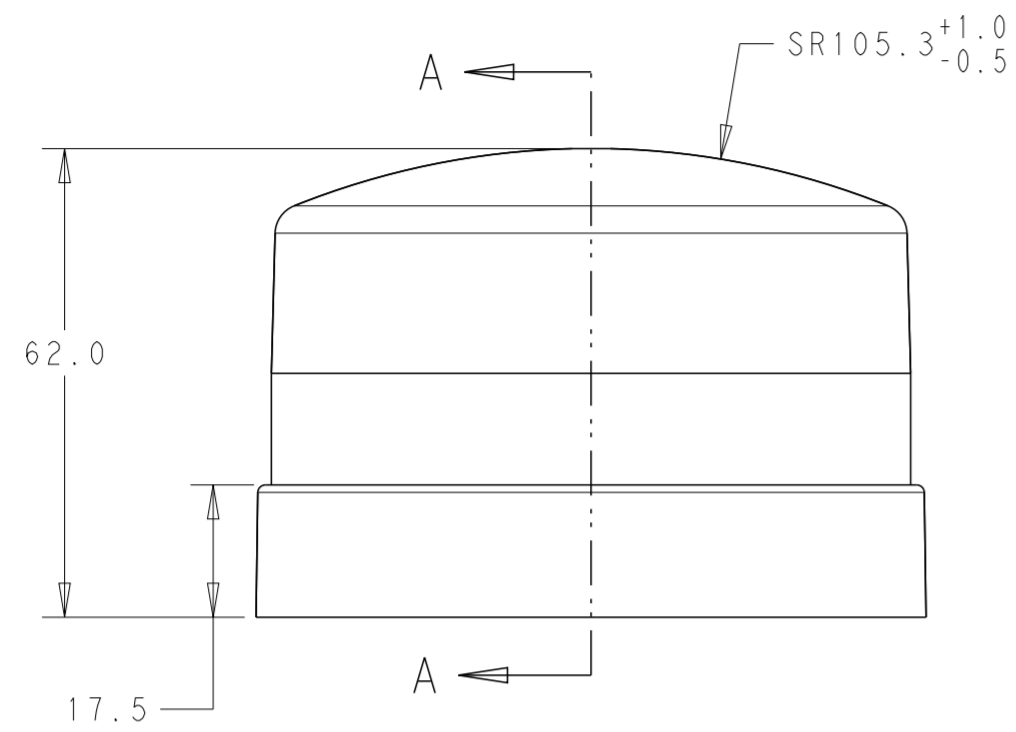


THIS DRAWING IS UNPUBLISHED. RELEASED FOR PUBLICATION 20
 © COPYRIGHT 20 BY - ALL RIGHTS RESERVED.

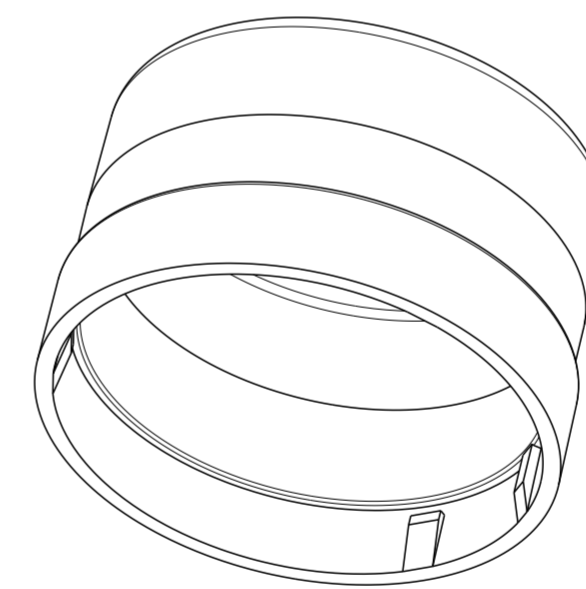
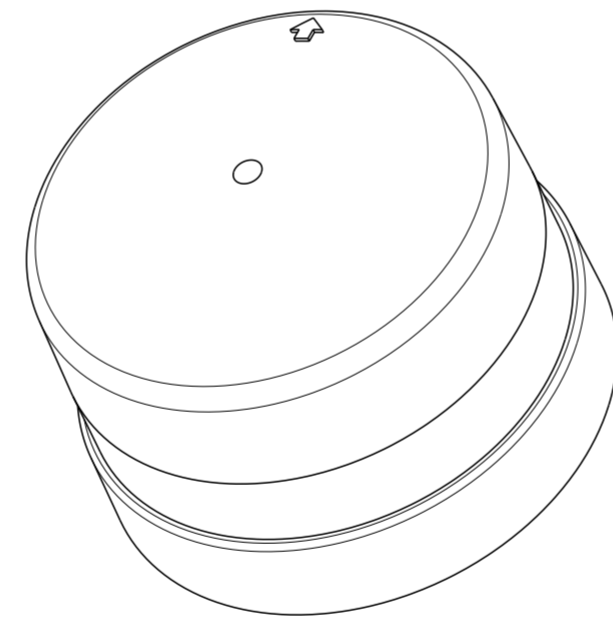
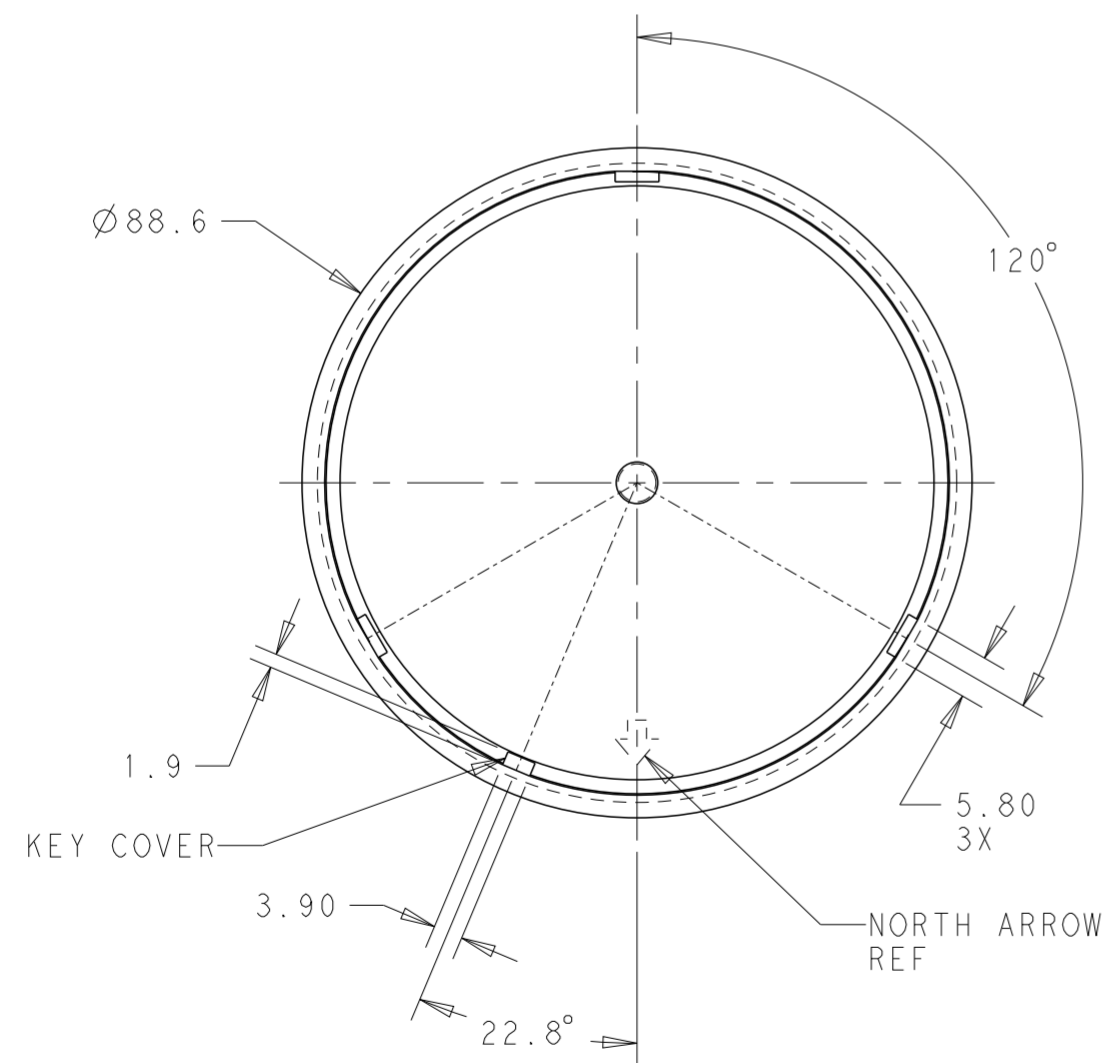
REVISIONS				
P	LTR	DESCRIPTION	DATE	APVD
	A	RELEASED FOR PRODUCTION	17OCT2017	RK DD



SECTION A-A

NOTES:

- 1 MATERIALS:
 HOUSING: POLYCARBONATE, UV 5VA RATED
 COLOR: SEE TABLE
- 2 MATING BASE TE P/N: 2213871-2,1-2213871-2.
- 3. THIS PRODUCT HAS NOT COMPLETED VALIDATION TESTING.



78%	TRANSLUCENT CLEAR	1-2315539-1
24%	TRANSLUCENT SMOKE GRAY	2315539-1
APPROXIMATE LIGHT TRANSMISSION		COLOR
		PART NO.

THIS DRAWING IS A CONTROLLED DOCUMENT.		DWN J. SHAFFER 13JAN2017	STE TE Connectivity															
		CHK E. HOWARD 13JAN2017																
DIMENSIONS: mm		TOLERANCES UNLESS OTHERWISE SPECIFIED:		NAME COVER, LIGHT CONTROLLER 81mm DIA, MEDIUM														
<table border="1"> <tr><td>0 PLC</td><td>±</td></tr> <tr><td>1 PLC</td><td>±0.2</td></tr> <tr><td>2 PLC</td><td>±0.13</td></tr> <tr><td>3 PLC</td><td>±</td></tr> <tr><td>4 PLC</td><td>±</td></tr> <tr><td>ANGLES</td><td>±3°</td></tr> <tr><td>FINISH</td><td>-</td></tr> </table>		0 PLC	±	1 PLC	±0.2	2 PLC	±0.13	3 PLC	±	4 PLC	±	ANGLES	±3°	FINISH	-	PRODUCT SPEC 108-32125	SIZE A2	CAGE CODE -
0 PLC	±																	
1 PLC	±0.2																	
2 PLC	±0.13																	
3 PLC	±																	
4 PLC	±																	
ANGLES	±3°																	
FINISH	-																	
MATERIAL -		APPLICATION SPEC 114-32159	DRAWING NO. C-2315539	RESTRICTED TO -														
		WEIGHT -	SCALE 1:1	SHEET 1 OF 1														
		CUSTOMER DRAWING	REV A															